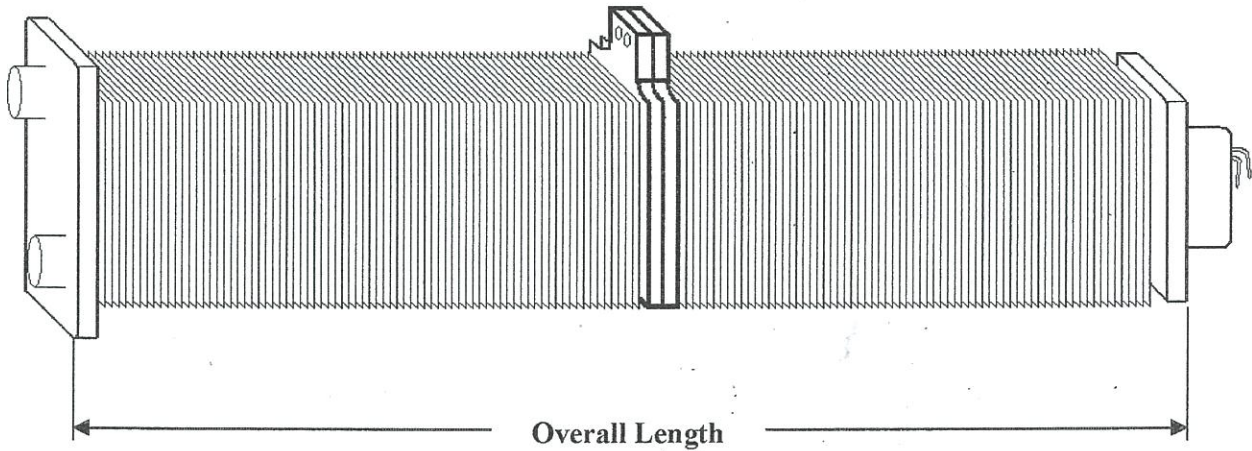


# MICON INDUSTRIES LTD.



**MICON INDUSTRIES**  
SERVING INDUSTRY WORLD-WIDE

## AMOCS Size Chart



Part Number	Overall Length Millimeters	Overall Length Inches	Fins per inch - FPI	Steel or Copper Fins	Centermount or No Centermount
113-9539	867 mm	34 1/8"	9.5	Steel	No Centermount
109-3622	1077 mm	42 3/8"	9.5	Steel	No Centermount
119-4774	1452 mm	57 3/16"	9.5	Steel	No Centermount
188-7475	1452 mm	57 3/16"	6.5	Copper	No Centermount
131-1106	1655 mm	65 3/16"	9.5	Steel	Centermount
213-8188					
219-1073	1655 mm	65 3/16"	6.5	Copper	Centermount
114-4416	1846 mm	72 11/16"	9.5	Steel	No Centermount